

SYSTEM SIZE:

BILL OF MATERIALS		
EQUIPMENT	QTY	DESCRIPTION
SOLAR PV MODULE		
INVERTER		
SUB PANEL		
TRUNK CABLE/CONN		

ENGINEER OF RECORD INFO

VERSION

DESCRIPTION	DATE	REV
DRAFT		

PROJECT NAME

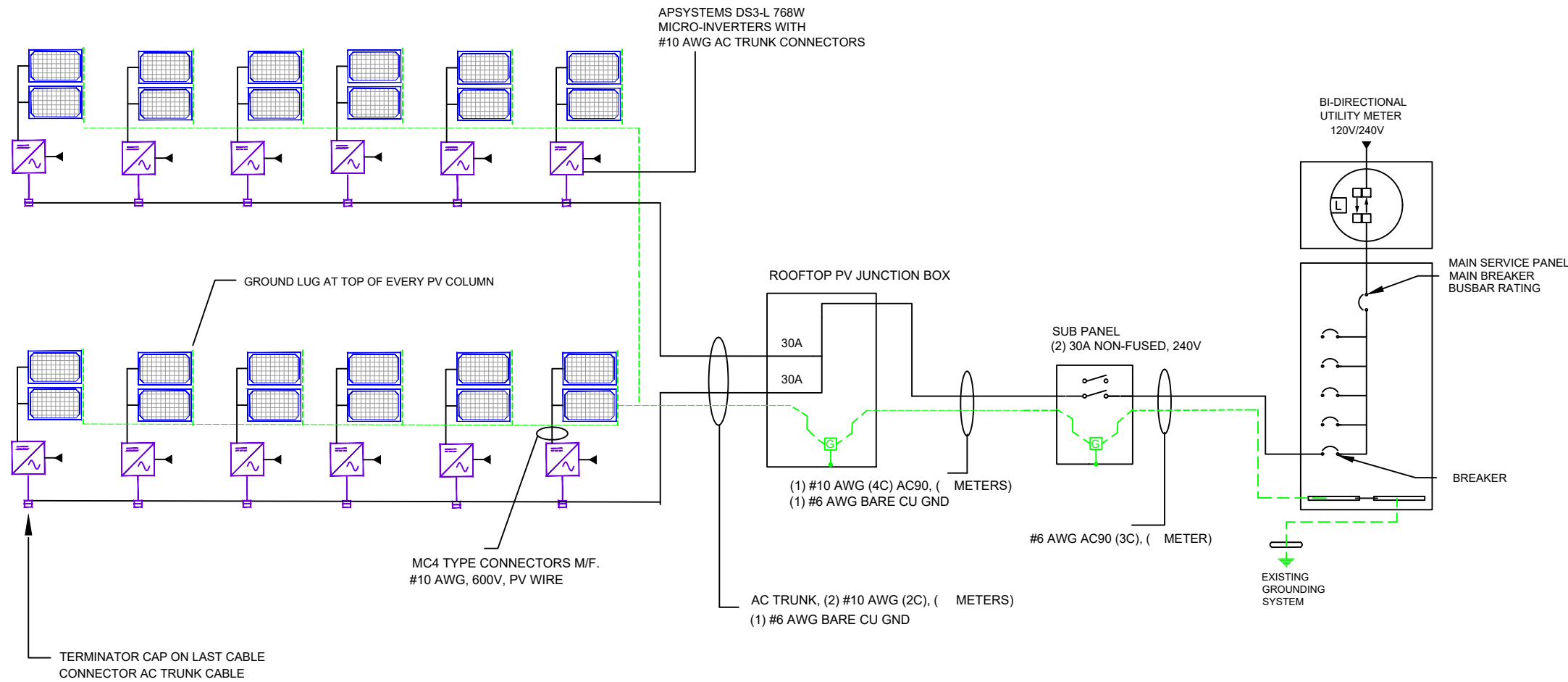
SHEET NAME

ELECTRICAL LINE DIAGRAM

SHEET SIZE

ANSI B  
11" X 17"

SHEET NUMBER



**1 ELECTRICAL LINE DIAGRAM**

NOTE: MICROINVERTERS ARE RAPID SHUTDOWN